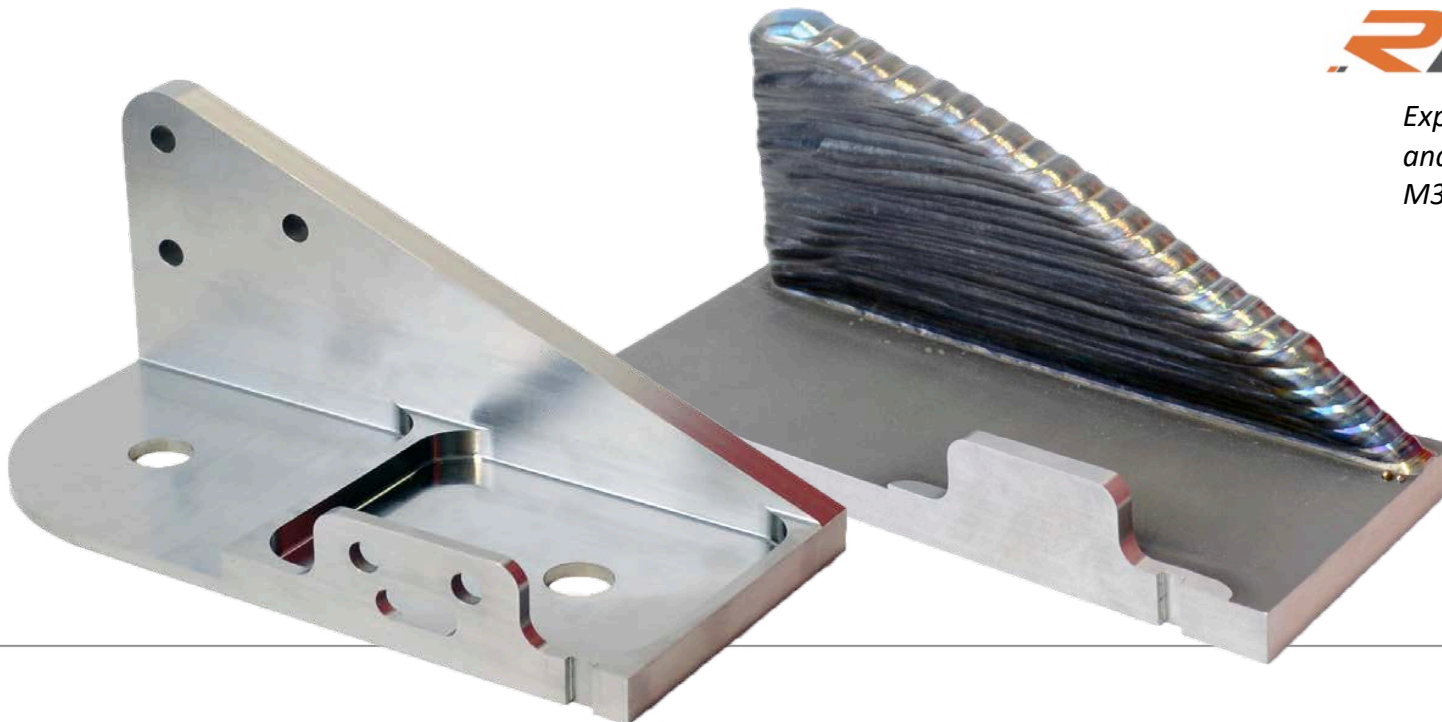


2D. M3DP APPLICATION CENTER



*SBI GmbH teamed up with international experts in additive processing and quality materials to form an **M3DP APPLICATION CENTER** for our customers.*

The location at AIT research center in Seibersdorf is easy to reach within 20min from Vienna Airport.



*Weldingexpert and
Producer of the M3DP*



*Expert in AM wires and
high-tech material supplies*



*Expert in AM Processing
and operating the
M3DP Application Center*



*Best-in-class automation and
Industrial application expert*

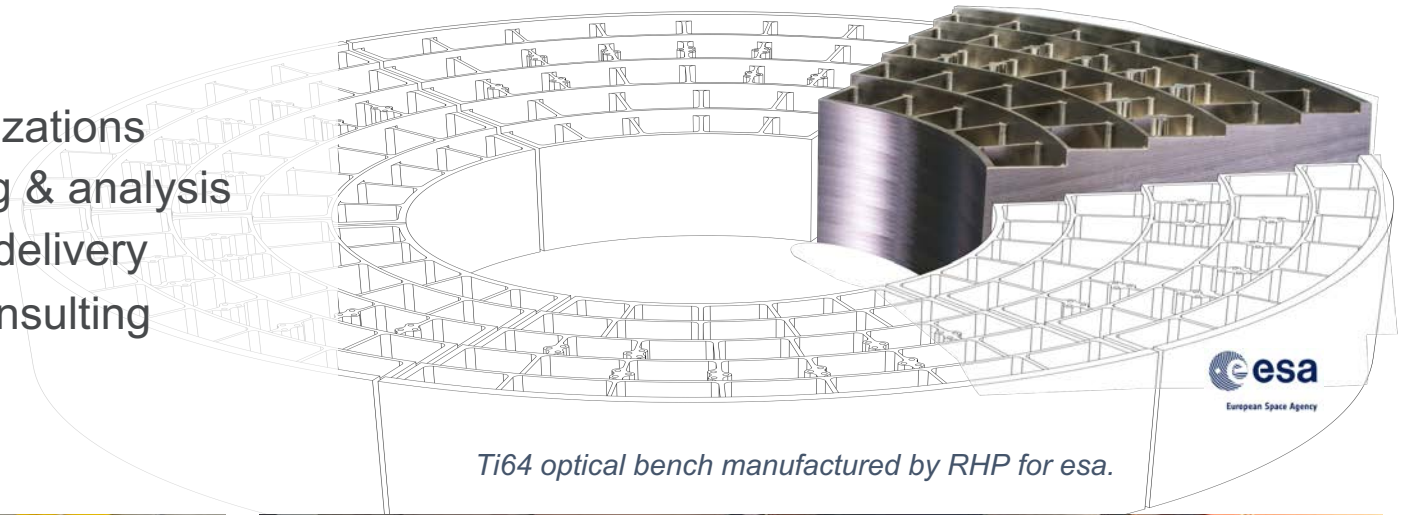


2D. M3DP APPLICATION CENTER



WE OFFER OUR EXPERTISE:

- ✓ AM part planning
- ✓ AM material selection
- ✓ AM manufacturing
- ✓ Posttreatments
- ✓ Final machining
- ✓ Process optimizations
- ✓ Material testing & analysis
- ✓ Demonstrator delivery
- ✓ Technology consulting



Ti64 optical bench manufactured by RHP for esa.

